

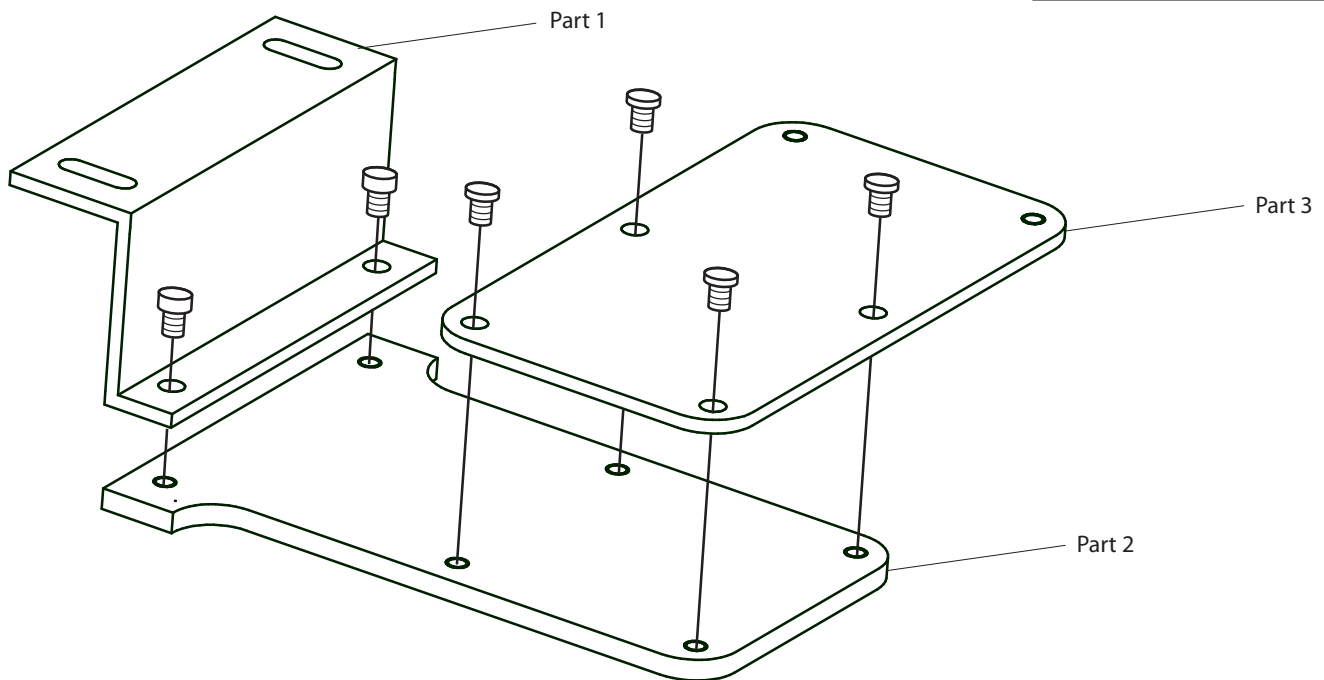
Zirkona Dashboard Mount

Art. nr. 201040

N.B.!

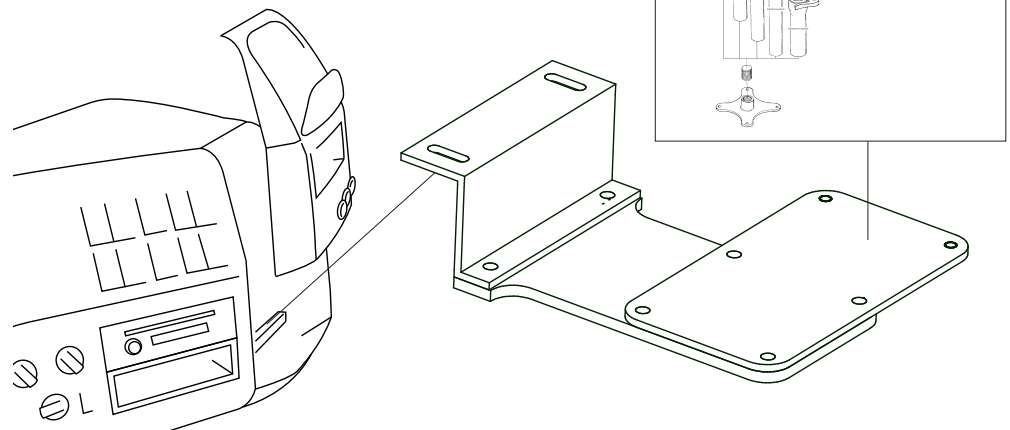


Always apply thread lockers on the threads. Use Loctite or equivalent.



Zirkona Dashboard Mount

- ① Disassemble and remove the center instrument panel.
- ② Loosen two M6 bolts from the square beam behind the instrument panel.
- ③ Place part 1 at the square beam for adjusting of the plastic on the inside of the instrument panel.
- ④ Attach Part 1 on the square beam with existing M6 bolts (from step 2).
- ⑤ Slide Part 2 under the dashboard and attach in Part 1 with two M6x10 (included).
- ⑥ For offset mounting, attach Part 3 on Part 2.
- ⑦ Assemble and reinstall the center instrument panel.



Zirkona
www.zirkona.com