

Zirkona Seatholder

Art. No. 402515

Mounted on the passenger seat.

Version 1, 2010-06

Note!



Always apply thread lockers on 20 mm threads. Use Loctite or equivalent.

Zirkona Seatholder

- ① Mount the computer arm on the Zirkona Seatholder with the supplied locking handle. Choose one of the three available mounting holes.
- ② *Mount Zirkona Joiner and computer plate.* (Optional purchase).

Note!

Threads must be locked with Loctite or similar.

- ③ Adjust the Zirkona Seatholder to desired height by fastening the mounting plates at appropriate positions. Do so by placing the holder on the seat and adjusting the mounting plates until the computer is at the desired working position.
- ④ Fold back the backrest – if possible – and press the mounting plates through the space between backrest and seat. Turn the mounting plates so that they are locked behind the seat and backrest.

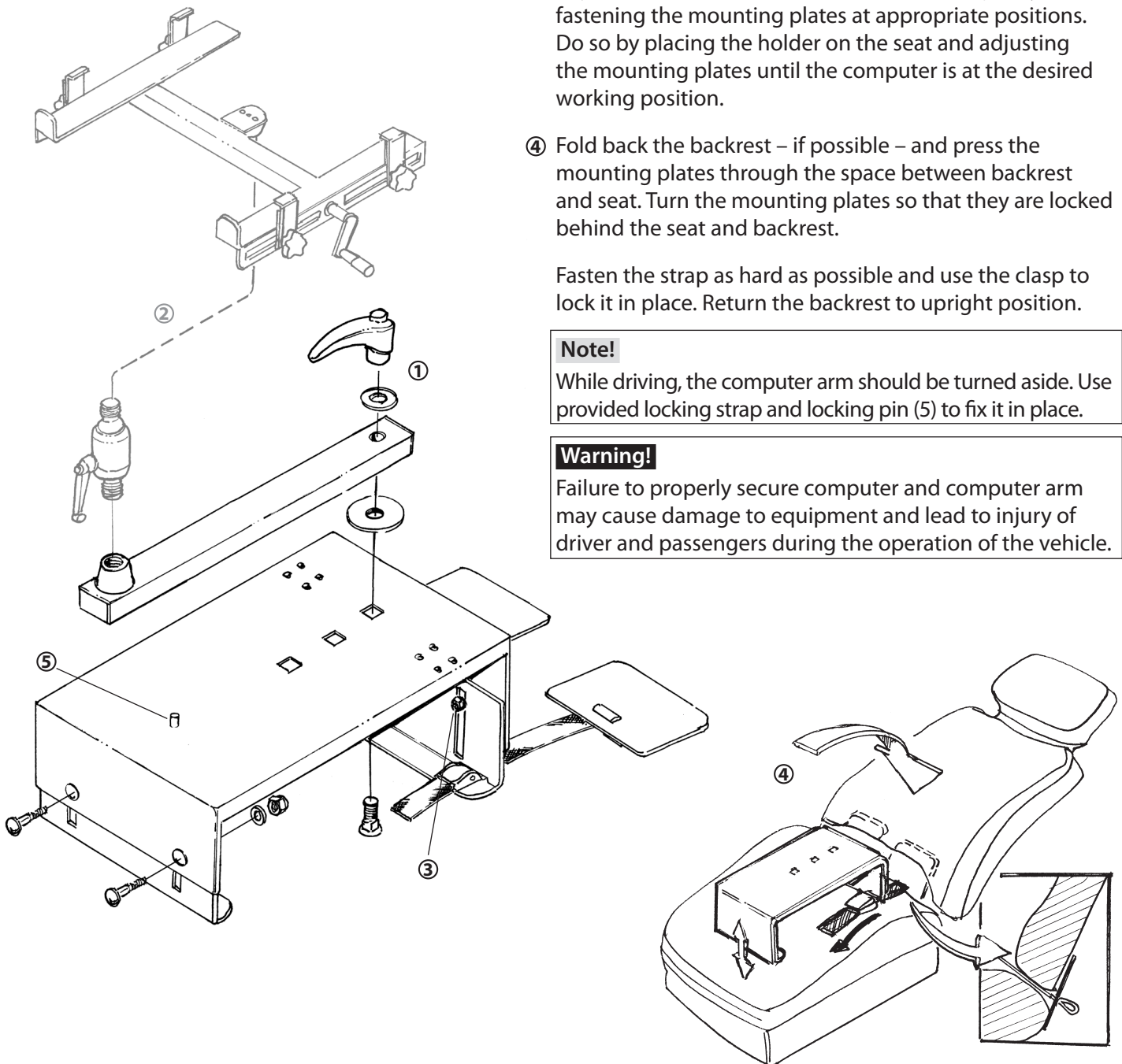
Fasten the strap as hard as possible and use the clasp to lock it in place. Return the backrest to upright position.

Note!

While driving, the computer arm should be turned aside. Use provided locking strap and locking pin (5) to fix it in place.

Warning!

Failure to properly secure computer and computer arm may cause damage to equipment and lead to injury of driver and passengers during the operation of the vehicle.



zirkona
www.zirkona.com