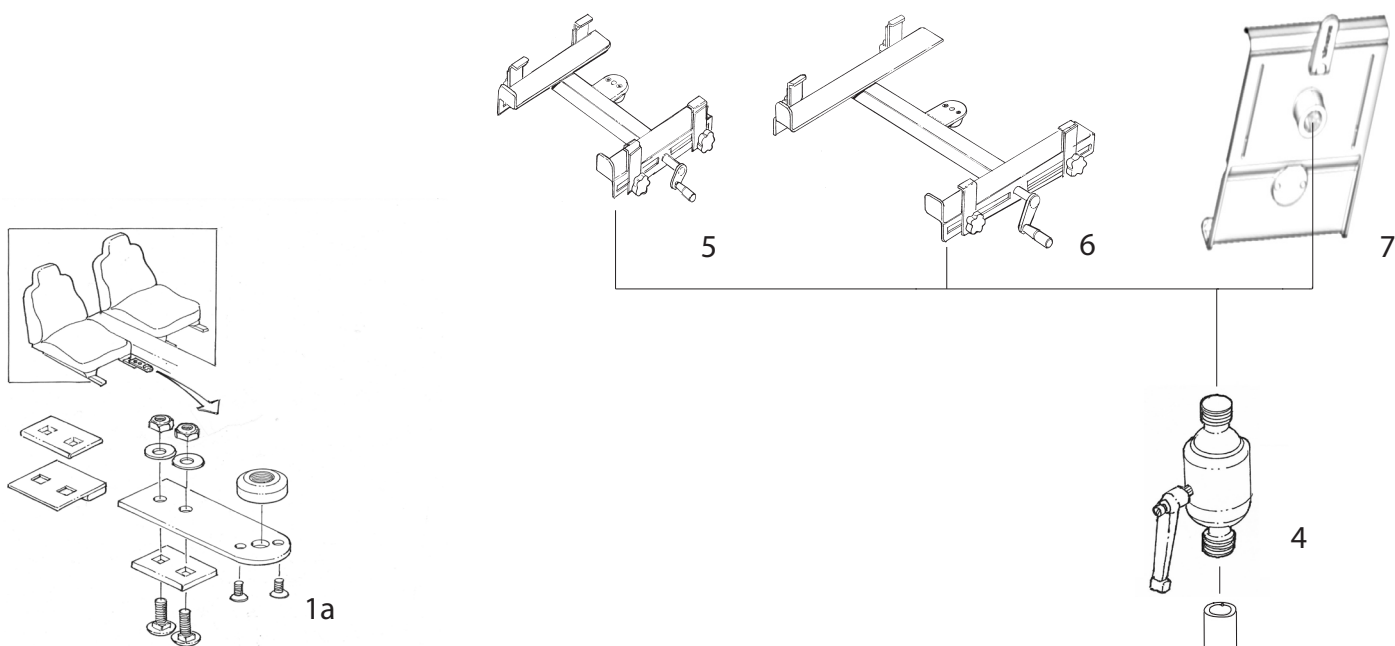


# Zirkona Teleskopisk arm

Mounting description commercial vehicle



## Zirkona Teleskopisk arm

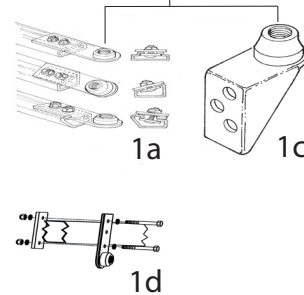
1. The installation is done on the passenger side.
2. Install the seat rail bracket 208000 (1a) using the suitable supplied seizure dependent on the chair rail design. Complete with 208001 (1d) for installation in certain car models in the sofa construction. See brochure for which car model this regard.  
Or mount, Universal bracket 602110 (1c) in the bottom of the sofa profile. See brochure for which car model this regard.
3. Screw Joiner Large 601030 (2) of the chair rail mount.
4. Attach the telescopic tube 601059 (3) of Joiner Large. Screw the stabilisation bracket to the appropriate location.
5. Screw Joiner Medium 601020 (4) of the telescope tube.
6. Attach the selected holder 501201 (5) or 501101 (6) or 501400 (7) of Joiner Medium, and then tilt the holder to the appropriate position.

Always drive with Zirkona telescope mount down folded!

### NOTE



Always apply threadlocker on the threads. Use Loctite or equivalent.



**zirkona**  
www.zirkona.com

Zirkona Sweden AB assumes no responsibility for the installation or use of the product. All responsibility rests with the user.